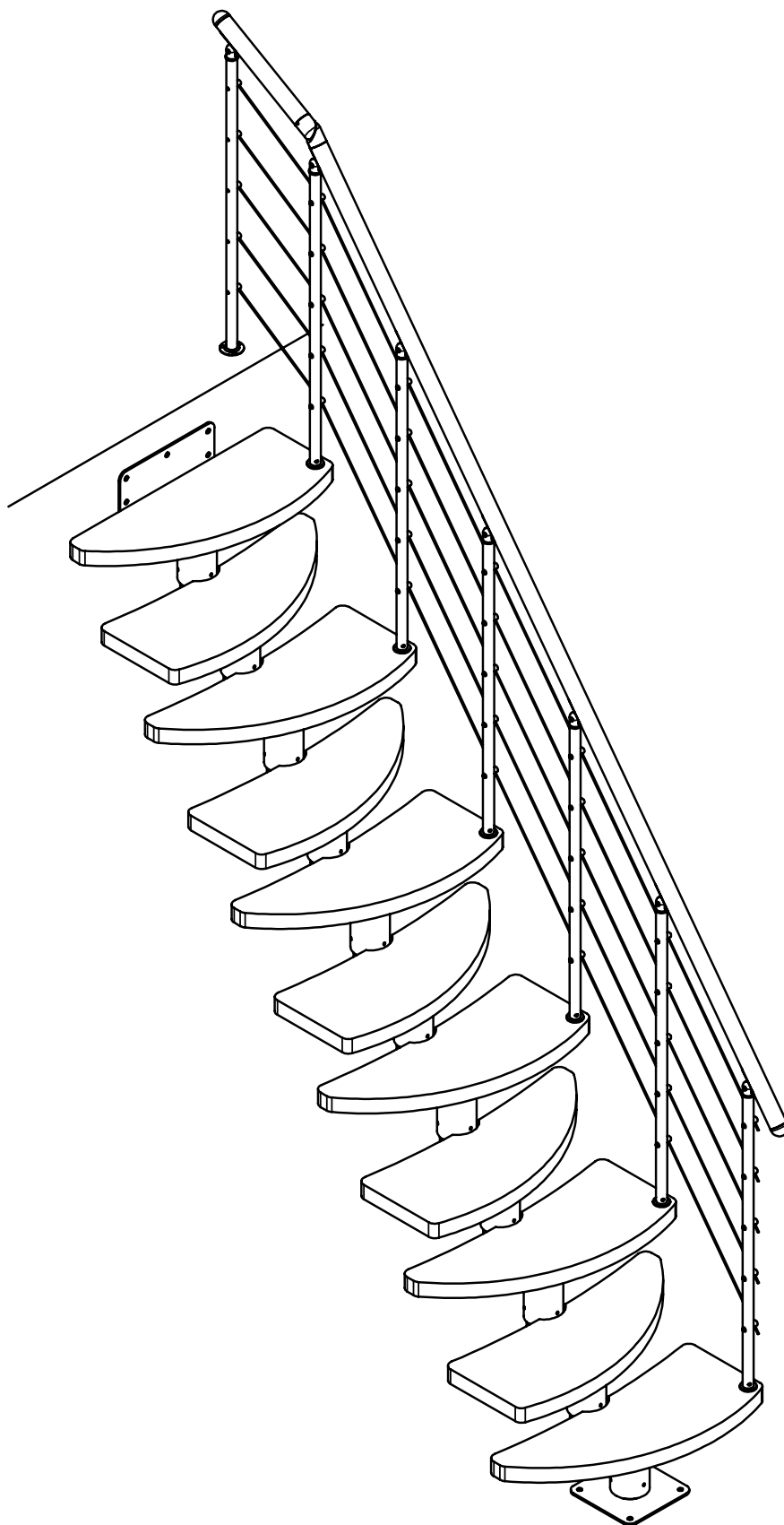


ROME



Preparation (A)

- Choose the required floor plan – see examples.
- Calculate the height of rise using the following formula: $\frac{\text{floor height}}{\text{number of steps} + 1} = \underline{\underline{\text{height of rise}}}$
- If the angle of two successive steps is greater than 20° , the steps may be turned the same way – see Figure (A2).

Assembly (Figure 1 - 14)

NB! The staircase should be assembled from the TOP DOWNWARDS.

- Start assembling the staircase – begin with figure (1).
- REMEMBER to check the height of rise for every step.
- REMEMBER to use support once the first four elements have been assembled – see Figure (3).

Figure (4): Assemble the last two elements as shown in the figure BEFORE installing them – but DO NOT tighten.
Next, insert in the correct place and adjust the height of rise.

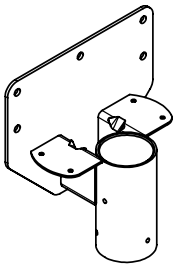
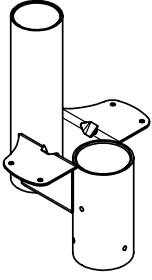
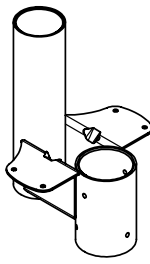
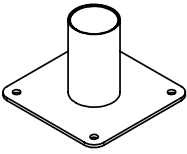
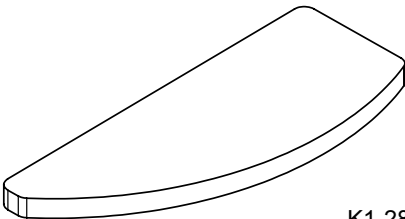

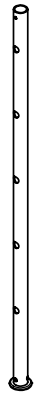



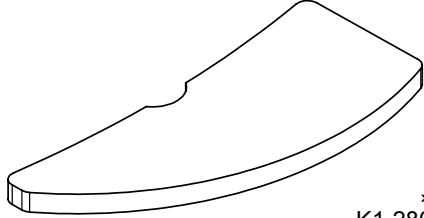

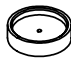



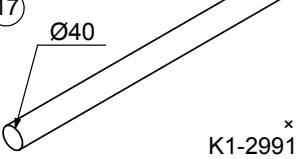
















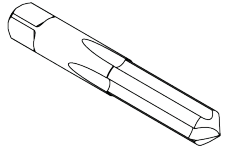
Figure (7): Installing the steps:
Turn the wide side of the top step towards the handrail. Next, install the steps working downwards, alternating right and left.

NB! It is easier to pre-drill the steps for the railing prior to installation.
Use the enclosed template - at page 10.
Place the steps in the middle of the support, check distance (X) – see Figure (7) and distance (Y) – see Figure (8).

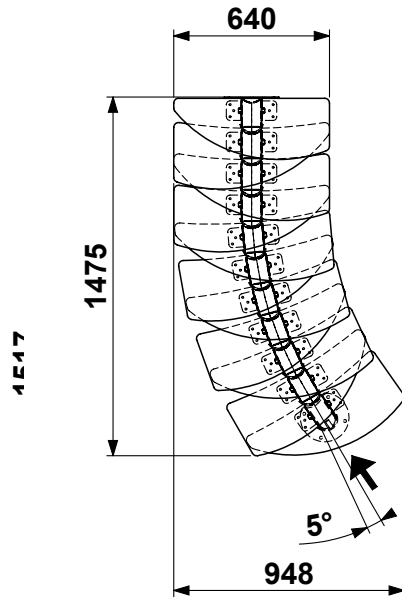
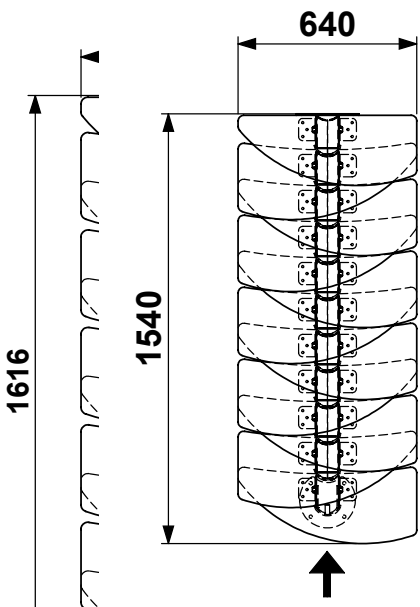
NB! If the angle of two successive steps is greater than 20° , the steps may be turned the same way – see Figure (A2) at page 5.

Figure (9–13), (14):
Installing the handrail:
Start at the top step and affix the railing to every second step.
Attach the landing rail to the floor, then fit the handrail and finally the steel wire – see Figure (14).

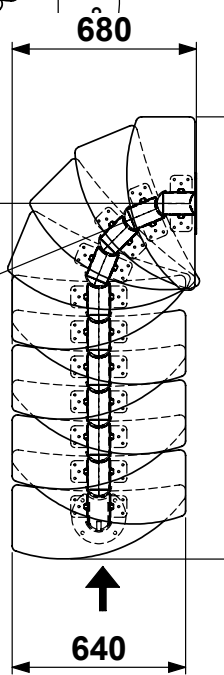
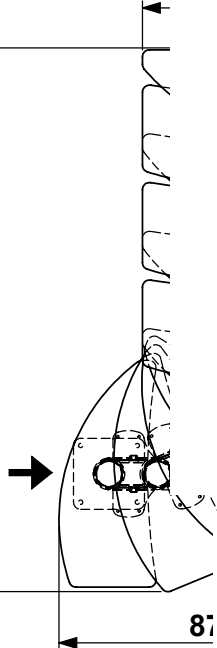
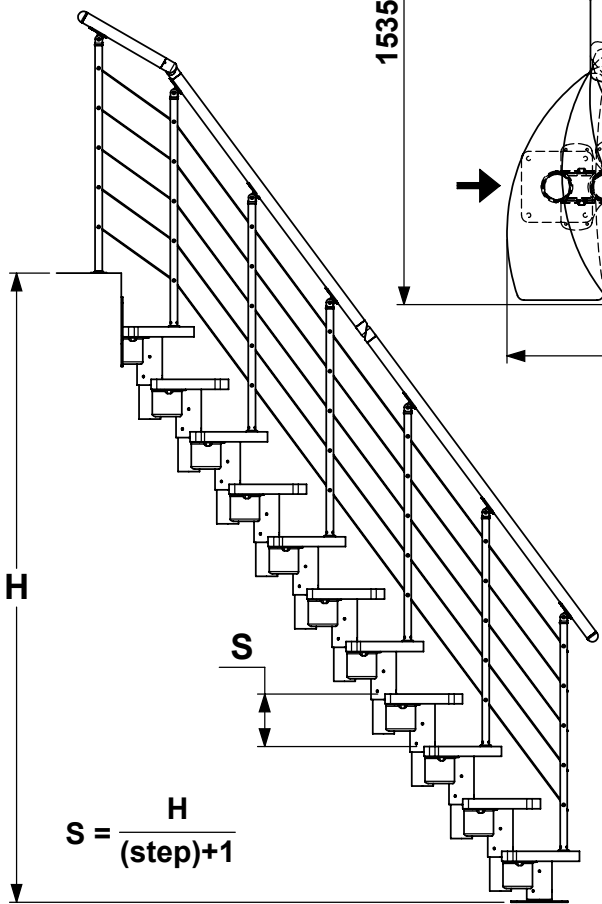
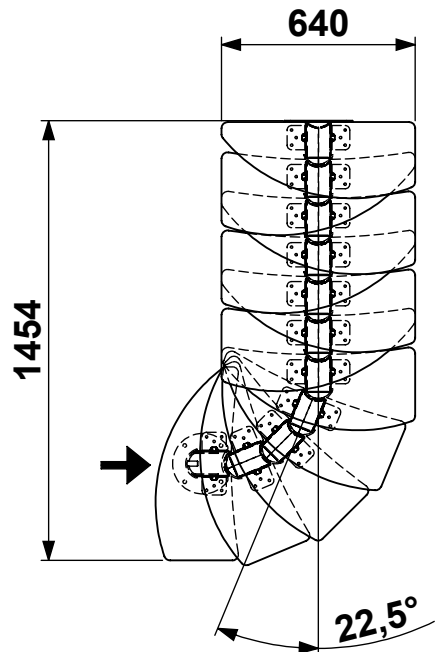
NB! You must install the ENTIRE handrail BEFORE tightening the steel wire.

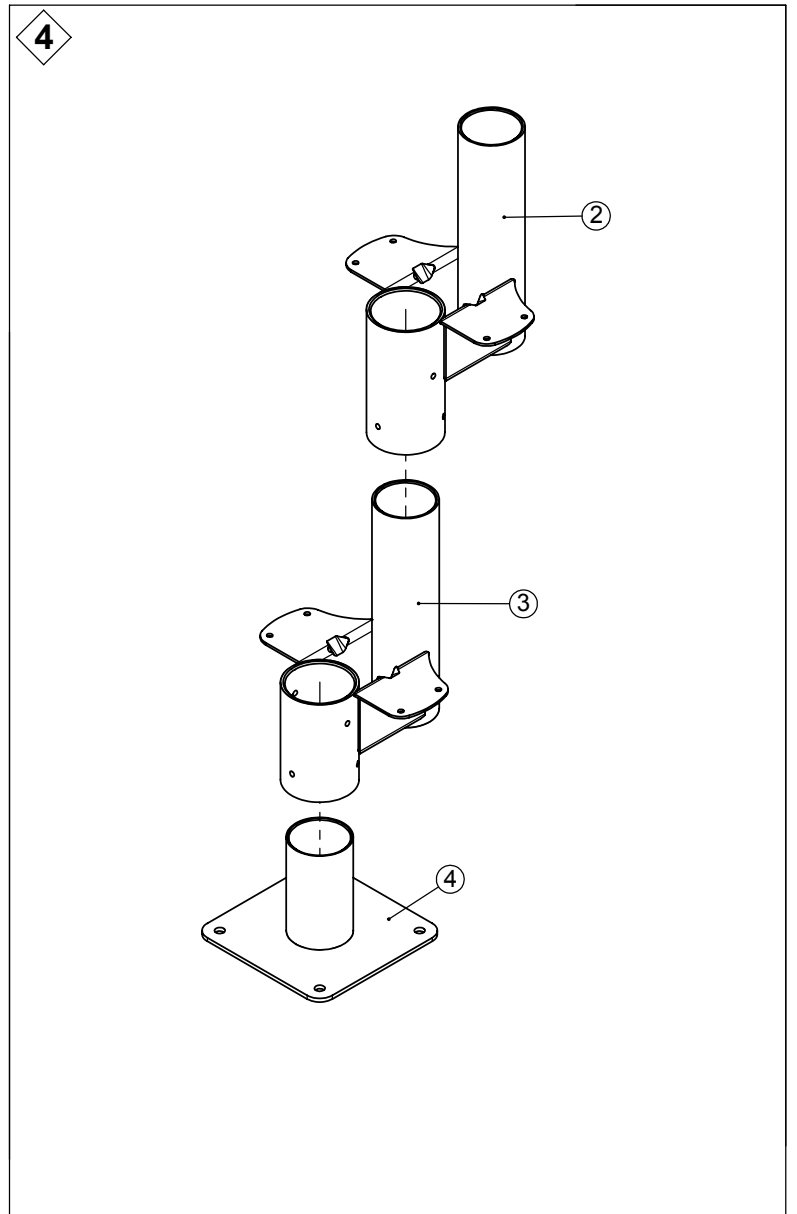
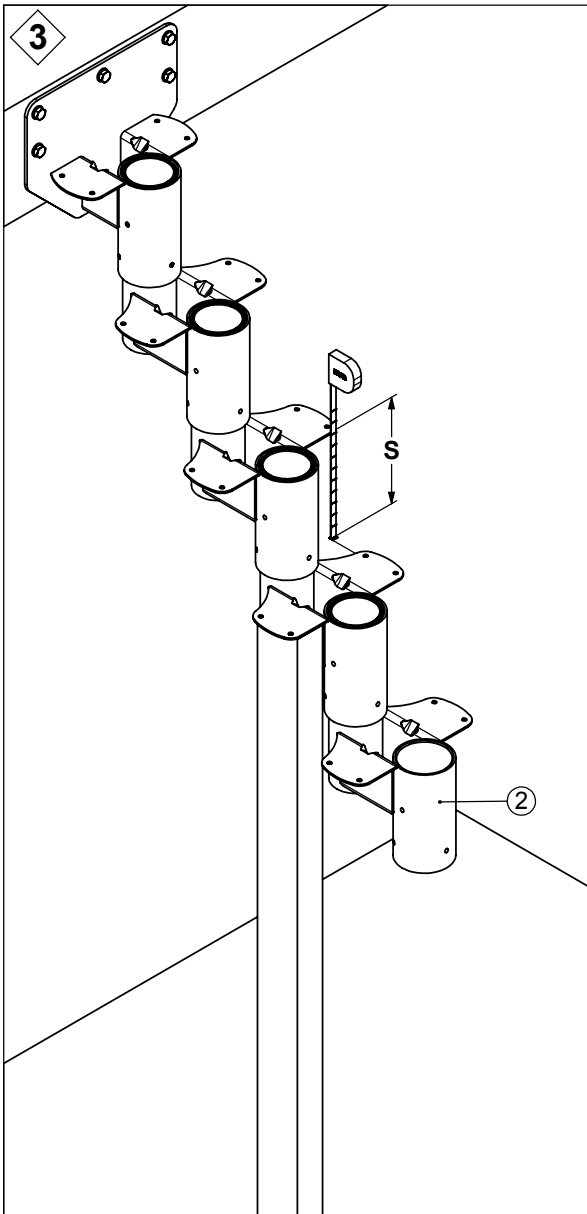
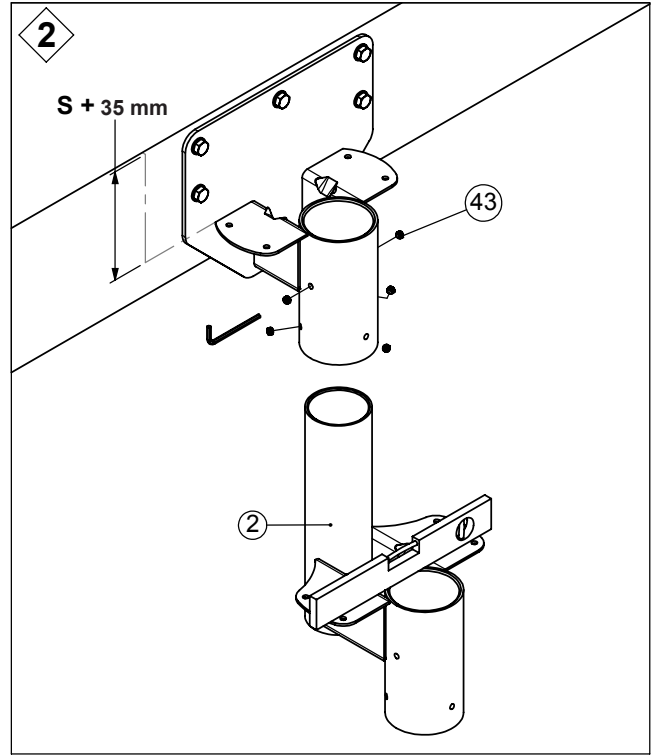
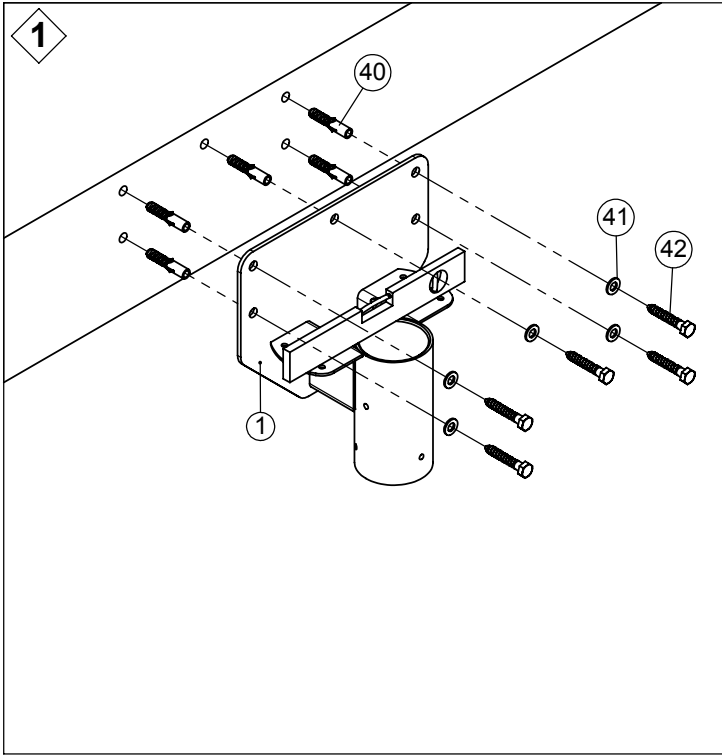
<p>①</p>  <p>x 1 K2-29240</p>	<p>②</p>  <p>x 9 K2-29230</p>	<p>③</p>  <p>x 1 K2-29270</p>	<p>④</p>  <p>x 1 K2-29250</p>				
<p>⑤</p>  <p>x 1 K1-28010</p>	<p>⑦</p>  <p>x 1 K2-29281</p>	<p>⑧</p>  <p>x 6 K2-29280</p>	<p>⑨</p>  <p>x 7 K1-29204</p>	<p>⑩</p>  <p>x 7 K1-12207</p>	<p>⑪</p>  <p>x 2 K2-01020</p>		
<p>⑥</p>  <p>x 10 K1-28020</p>	<p>⑫</p>  <p>x 6 K2-01010</p>	<p>⑬</p>  <p>x 1 K1-01620</p>	<p>⑭</p>  <p>x 10 K2-04200</p>	<p>⑮</p>  <p>x 35 k1-04041</p>	<p>⑯</p>  <p>18 m K1-23292</p>		
<p>⑰</p>  <p>Ø40 x 3 K1-29915</p>							
<p>④①</p>  <p>x 9 K3-08004 Ø10x60</p>	<p>④②</p>  <p>x 9 K3-04028 Ø8</p>	<p>④③</p>  <p>x 9 K3-06015 Ø8x70</p>	<p>④④</p>  <p>x 55 K3-05003 M8x6</p>	<p>④⑤</p>  <p>x 44 K3-06030 Ø6x30</p>	<p>④⑥</p>  <p>x 3 K3-08002 Ø8x40</p>	<p>④⑦</p>  <p>x 3 K3-06022 Ø5x35</p>	<p>④⑧</p>  <p>x 7 K3-05060 M6x8</p>
<p>④⑨</p>  <p>x 7 K3-01002 M5x18</p>	<p>④⑩</p>  <p>x 7 K3-03020 M5</p>	<p>④⑪</p>  <p>x 14 K3-06018 Ø4x25</p>	<p>④⑫</p>  <p>x 6 K3-07008 M10x70</p>	<p>④⑬</p>  <p>x 6 K3-04030 Ø10</p>	<p>④⑭</p>  <p>x 6 K3-03010 M10</p>	<p>④⑮</p>  <p>x 35 K1-04040 M6x18</p>	<p>④⑯</p>  <p>x 14 K3-06064 Ø4x25</p>
<p>GB Please note that impurities may occur in the threads of the components. We have enclosed a screw tap for correction of this.</p>  <p>x 1 K3 10010</p>							

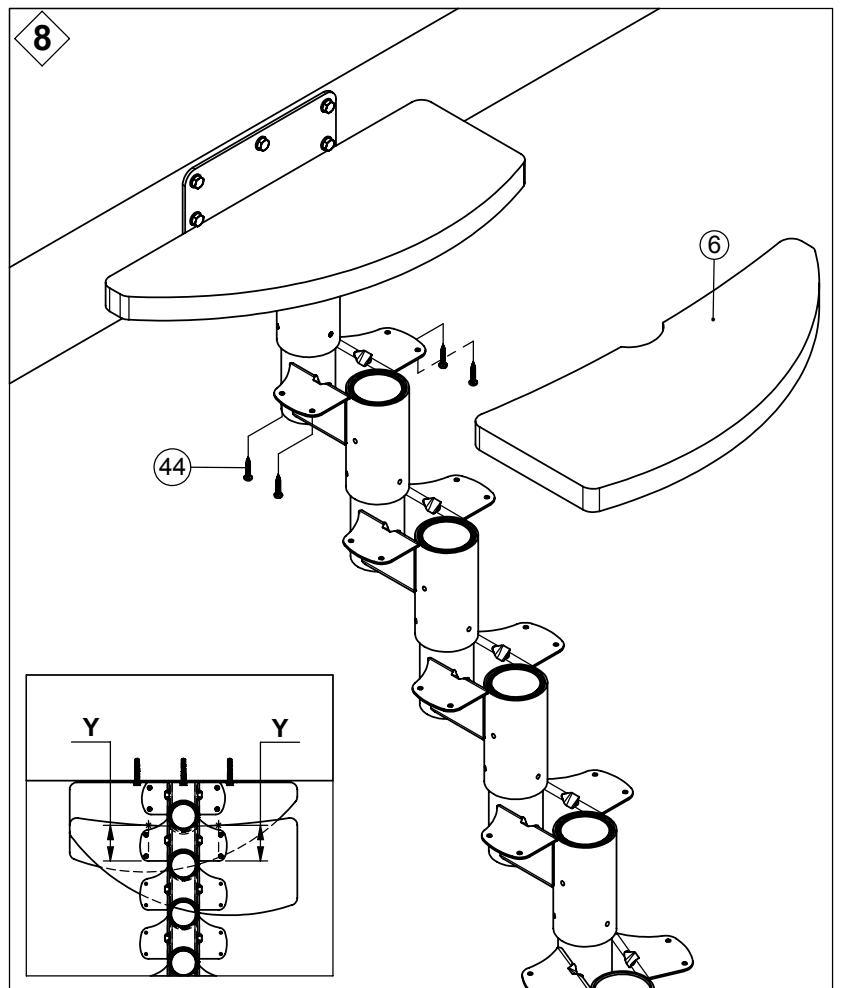
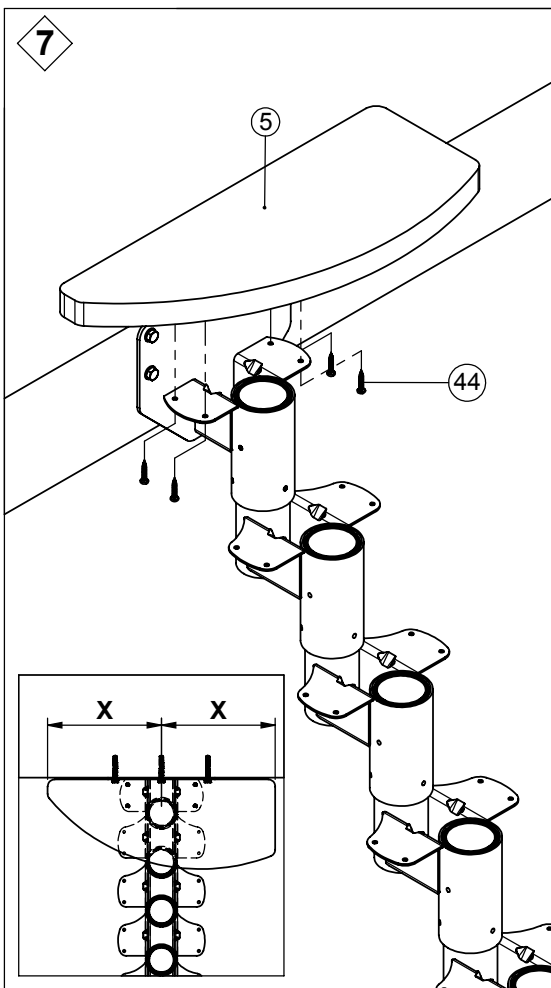
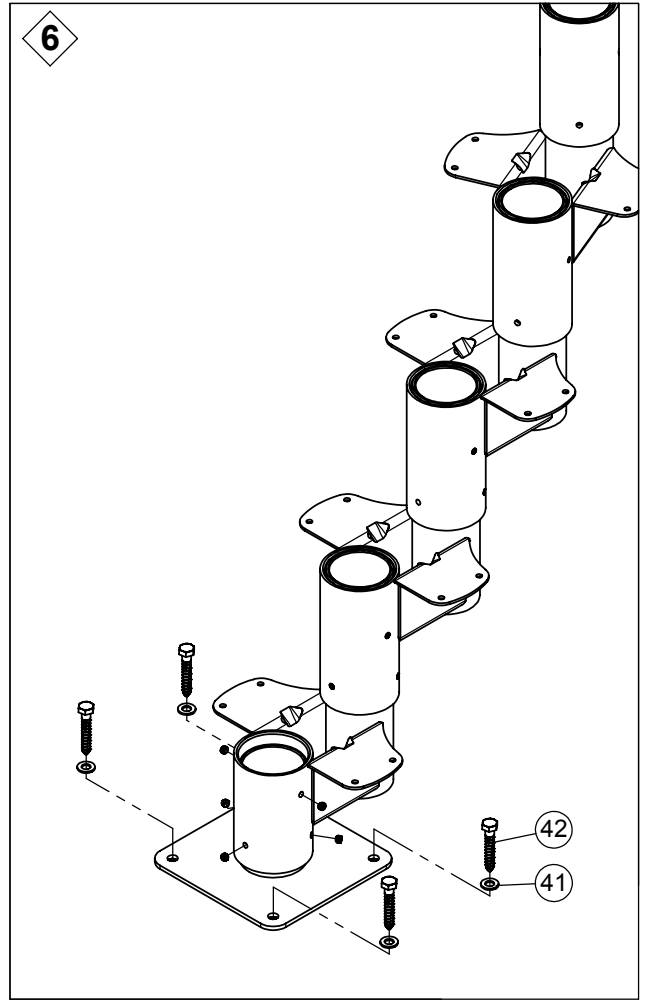
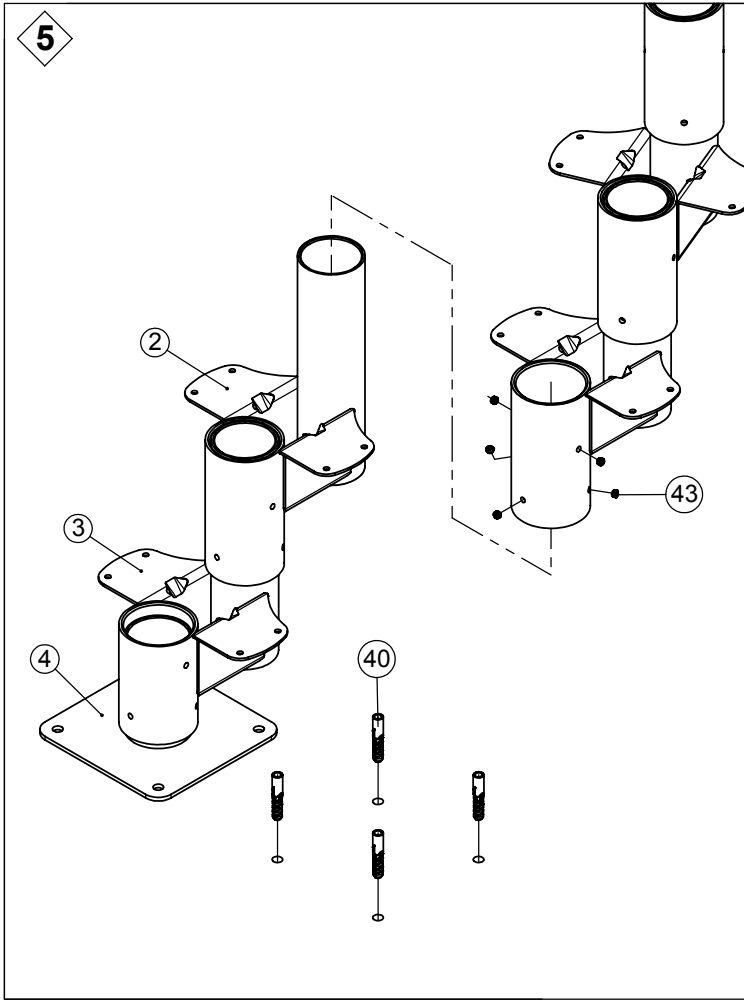
A

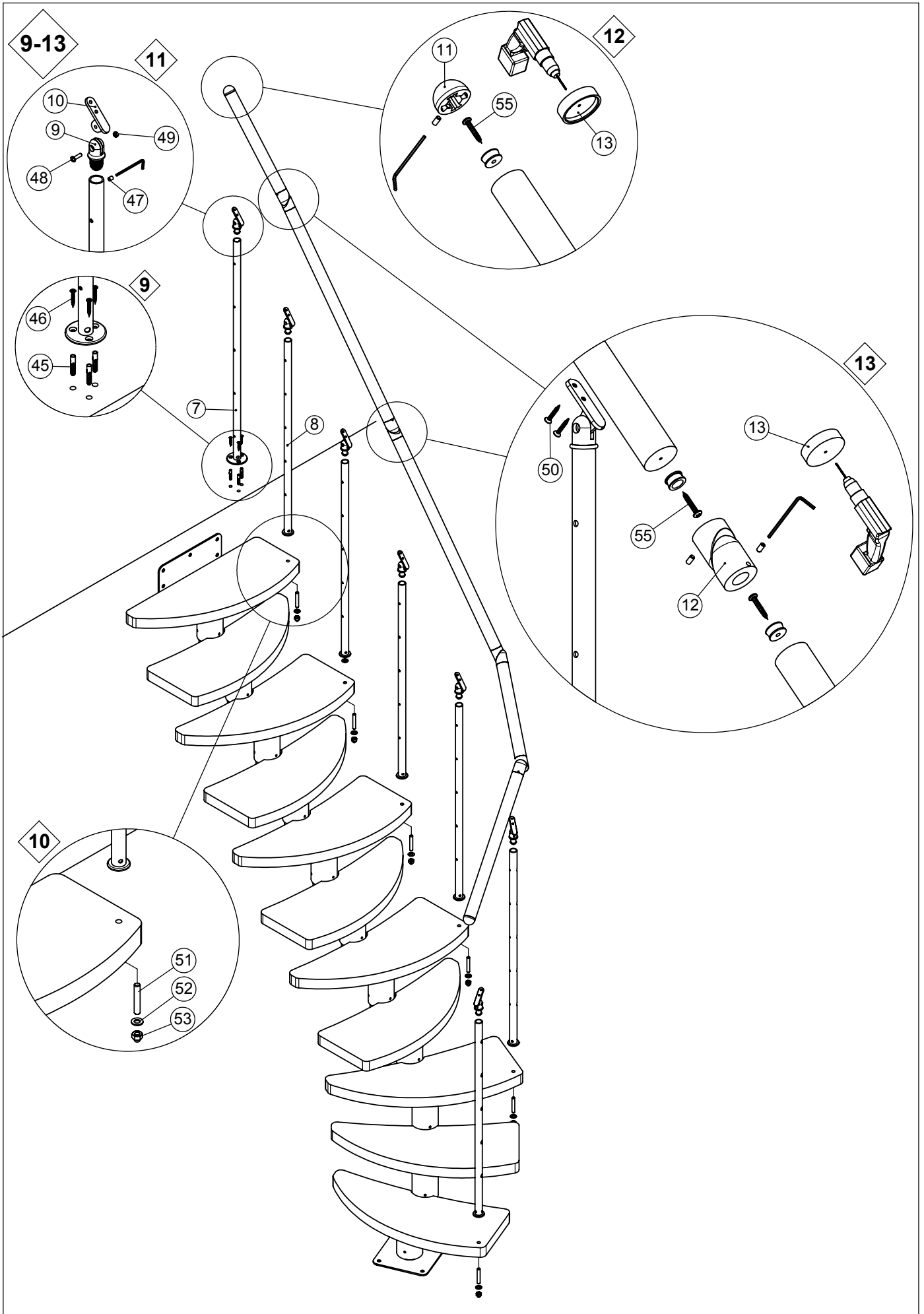


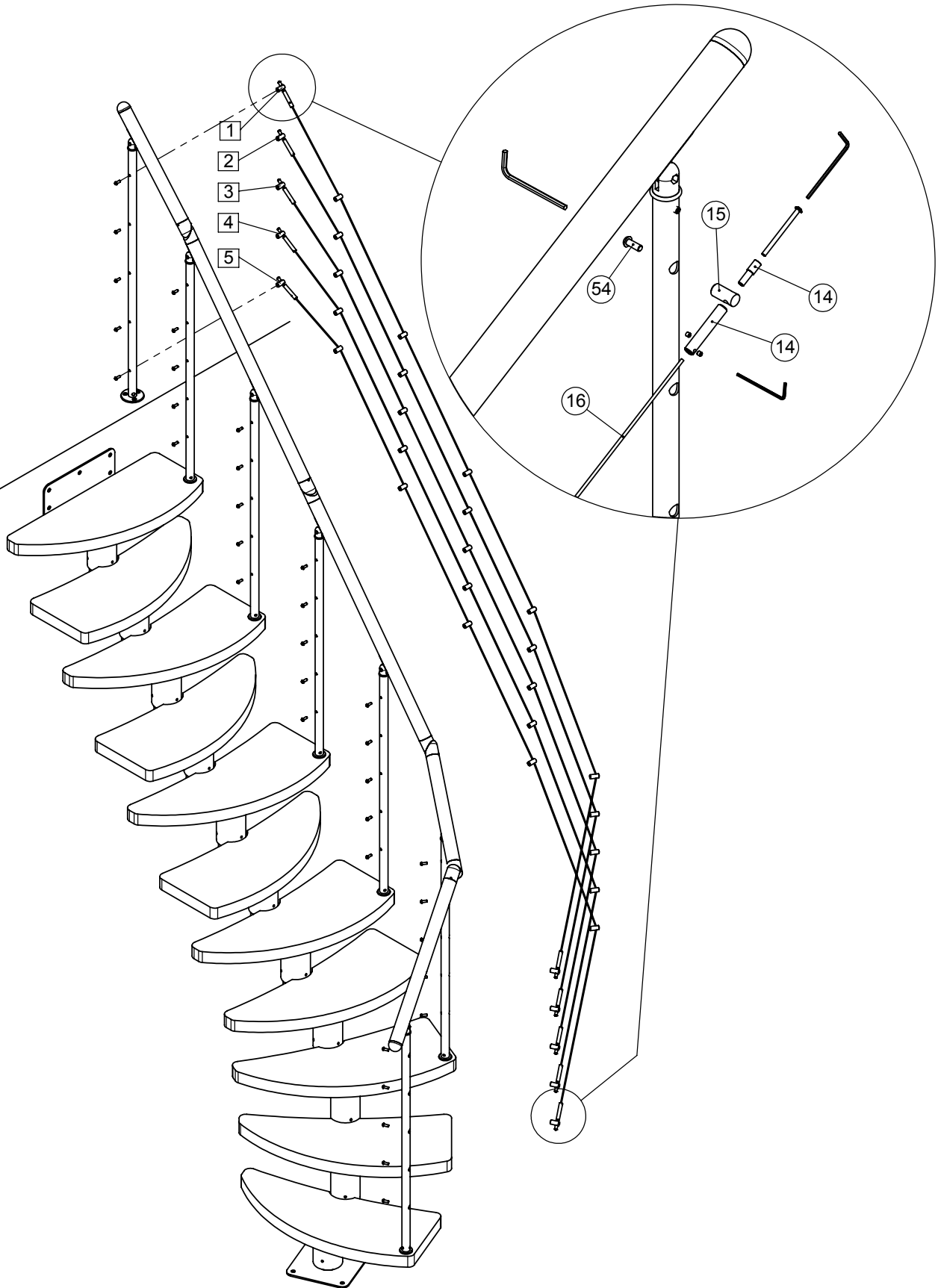
A2











B

